

Series 1790 - CABLE REELS IP65 for BATTERY CHARGERS



Available to be connected to the battery charger to charge the batteries of vehicles.

General features: (check the characteristics for every model)

- painted aluminium and steel case; side fastening aluminium bracket, with ratchet (these cable reels are delivered with disconnected ratchet, and it can easily inserted by user **before** the installation);
- collectors with power: 60 - 100 Amp.;
- steel springs suitable to grant the optimum cable traction and a long life; roller cable-guide;
- **protection degree IP65**;
- delivered with 2,5 m. incoming cable; working temperature: -5°C/+40°C;

Caution: in order to have the reel properly working, it is most important to verify that the installation method corresponds to one of the possible ones for that model.

Art. 1791 - reel with 7 m. + 2 m. - cable 2X16 mm² - Collector 60A - Drum Ø 440 mm..

Art. 1792 - reel with 7 m. + 2 m. - cable 2X16 mm² - Collector 100A - Drum Ø 440 mm..

Art. 1793 - reel with 13 m. + 2 m. - cable 2X16 mm² - Collector 60A - Drum Ø 550 mm..

Art. 1794 - reel with 13 m. + 2 m. - cable 2X16 mm² - Collector 100A - Drum Ø 550 mm..

Accessories on request: (Check if it is possible to install these accessories on the selected model of reel)

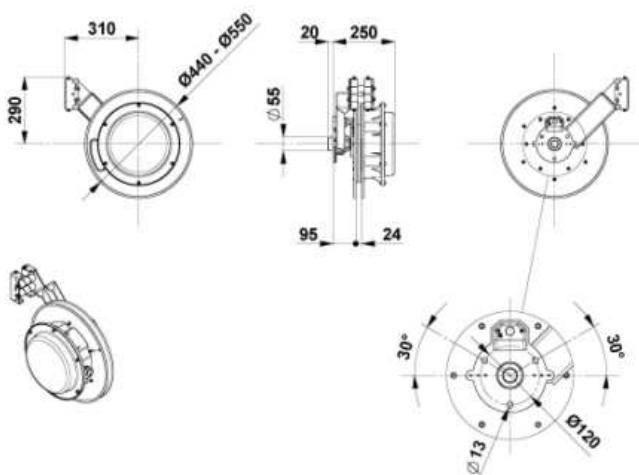
Art. 1701 - swivelling bracket (**ONLY for art. 1791 and art. 1792**)

Art. 1703 - fixed bracket.

REMARKS: These cable reels are to be considered components of a complex whole. Consider a suitable amperometric protection at the top of the reel considering the most unfavourable condition, viz, with cable completely wound. This protection must interrupt all the phases, but not earth contact in case of anomaly or extra electrical input. Unipolar models are suitable for earthing.

Reel dimensions Series 1790

(Drum diameter 450 mm. or 550 mm.)





Ing. Vladimír Gajdečka
Mitrovická 1053/198a
724 00 Ostrava – Stará Bělá
ČESKÁ REPUBLIKA

Tel/Fax : + 420 596 750 194
mobil : + 420 603 878 444
e-mail: info@gajdecka.cz
www.gajdecka.cz